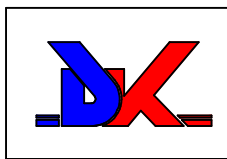
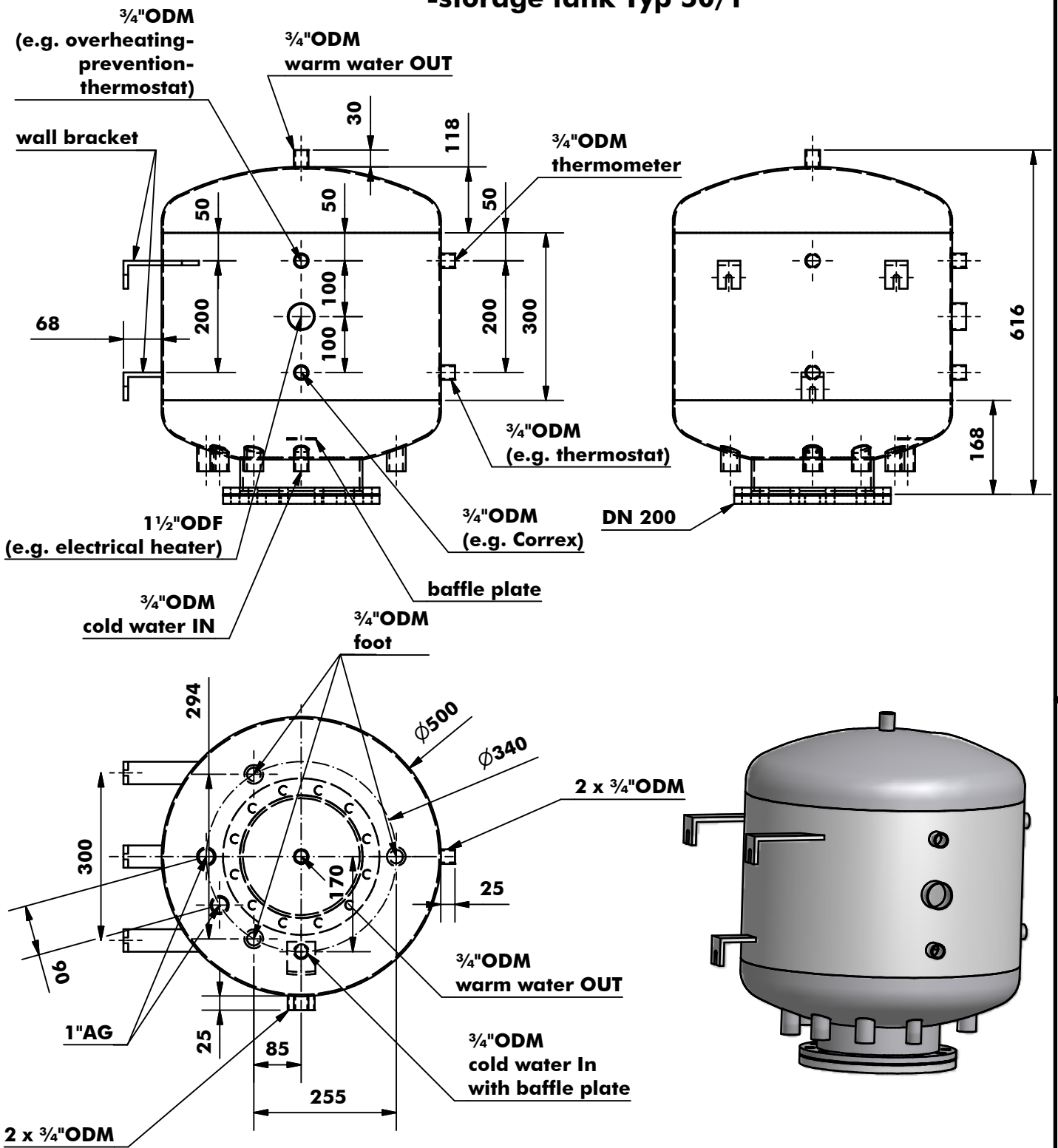


DK waste heat recovery -storage tank Typ 50/1



DK-Kälteanlagen GmbH
48282 Emsdetten

client:		date/ name	measure 1 : 10
commission:		agent: 20.05.11 sl	material
description: DK waste heat recovery -storage tank Typ 50/1		design technics:	sheet:
		design p.e.:	